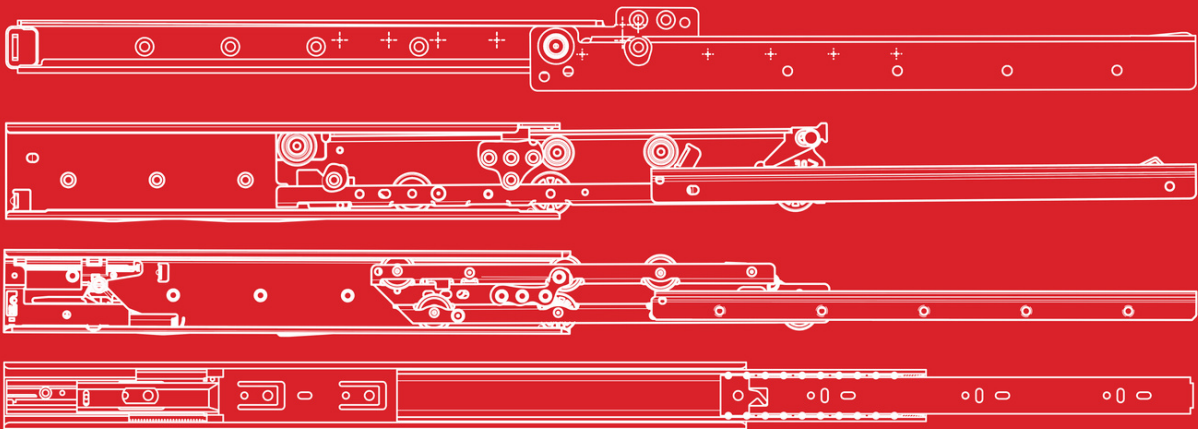


Filterer

STOCK SIDE MOUNT DRAWER SLIDE CATALOG

From 25 lbs. to 500 lbs. capacity the choice is yours

Filterer
DRAWER SLIDE SYSTEMS



DIRECT

SUPPLY INC

SURFACE MATERIALS \ CABINETRY \ HARDWARE

1055 36th Street SE

Grand Rapids, MI 49508

P: 616-245-4415 | F: 616-245-1890

www.directsupplyinc.com | sales@directsupplyinc.com

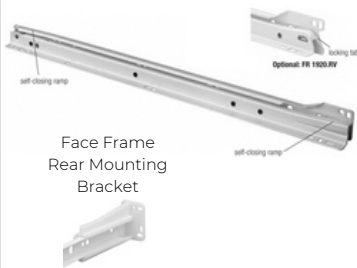


DIRECT
SUPPLY INC
SURFACE MATERIALS \ CABINETS \ HARDWARE

Fulterer

STOCK CATALOG

FR1921 - Bottom Mount | 75lb Capacity Regular Extension | White



- Economical slide with precision nylon rollers and smooth, epoxy coating
- Cabinet profile specially formed to prevent rollers from touching protruding screws
- Most suitable for furniture, RTA and kitchen cabinet applications
- The optional FR 1920.RV has a special locking feature in the front of the slide, drawer must be lifted upwards to be able to pull out the drawer, most suitable for recreational vehicles, mobile carts {non-stock}
- Rear mounting brackets also in stock for face frame applications

Stock Sizes - 18", 20", 22" & Brackets

FR5045 - Side Mount | 100 lb Capacity Full Extension | Economy Ball Bearing Slide



- Precision ball bearing drawer slide for medium-duty applications in office and residential furniture
- Drawer profile features an easy to operate disconnect finger release trigger
- System 32 compatible hole locations
- Drawer slide is non-handed, and has a hold-close detent
- Rear mounting brackets also in stock for face frame applications

Stock Sizes - 12", 14", 16", 18", 20", 22" & Metal Brackets

FR5046 - [Soft Close] - Side Mount | 100 lb Capacity Full Extension | Economy Soft Close Ball Bearing Slide



- Precision ball bearing drawer slide for medium-duty applications in office and residential furniture
- Drawer profile features an easy to operate disconnect finger release trigger
- System 32 compatible hole locations
- Drawer slide is non-handed, and has a hold-close detent
- Rear mounting brackets also in stock for face frame applications

Stock Sizes - 12", 14", 16", 18", 20" & 22"

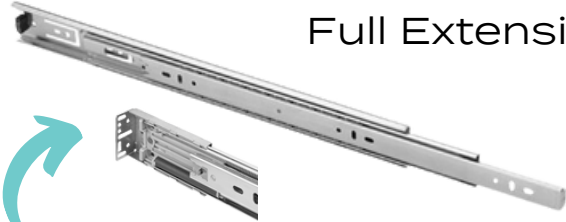
Additional lengths may be available for order.
Contact us for pricing and availability for special order slides



DIRECT
SUPPLY INC
SURFACE MATERIALS \ CABINETS \ HARDWARE

Fulterer
STOCK CATALOG

FR5000 - Side Mount | 100 lb Capacity
Full Extension | Ball Bearing Slide



OPTIONAL:
Metal rear mounting
bracket - Compatible
with FR5000 or FR5001

- Precision ball bearing drawer slide for medium-duty applications in office and residential furniture
- Drawer profile features an easy to operate disconnect finger release trigger system 32 compatible hole locations
- Drawer slide is non-handed, and has a hold-close detent
- Rear mounting brackets also in stock for face frame applications

Stock Sizes - 10", 12", 14", 16" 18", 20", 22"
24", 26", 28" & Metal Brackets

FR5001-ECD [Soft Close] - Side Mount | 100 lb Capacity
Full Extension | Ball Bearing Slide



- Precision ball bearing drawer slide for medium-duty applications in office and residential furniture
- Drawer profile features an easy to operate disconnect finger release trigger system 32 compatible hole locations
- Drawer slide is non-handed, and has a hold-close detent
- Rear mounting brackets also in stock for face frame applications

Stock Sizes - 12", 14", 16" 18", 20", 22"
24", 26", 28" & Metal Brackets

FR5210 - Self Close - Side Mount | 200 lb Capacity
Full Extension | Heavy Duty Ball Bearing Slide



ECD mechanism provides self-closing and impact absorbing soft-close feature.

Stock Sizes - 16", 18", 20" & 22"

- Precision ball bearing drawer slide for heavy-duty applications in office furniture, architectural millwork and institutional applications
- Drawer profile features an easy to operate disconnect finger release trigger
- System 32 compatible hole locations
- Drawer slide is non-handed, and has a hold-close detent
- over-extension of 25mm (1 in.) is standard
- ECD Easy Close Device

FR5210 - [Soft Close] - Side Mount | 200 lb Capacity
Full Extension | Heavy Duty Ball Bearing Slide



- ****See above information****
- ECD Easy Close Device

Stock Sizes - 16", 18", 20" & 22"

Additional lengths may be available for order.

Contact us for pricing and availability for special order slides



DIRECT
SUPPLY INC
SURFACE MATERIALS \ CABINETS \ HARDWARE

Fulterer
STOCK CATALOG

FR5400 - Side Mount | 450 lb Capacity
Full Extension | Heavy Duty Ball Bearing Slide



- Stainless steel ball bearings
- Ball bearing drawer slide with the heaviest load capacity
- non-handed and non-disconnect
- flat mounting possible, weight rating reduced

Stock Sizes - 26"

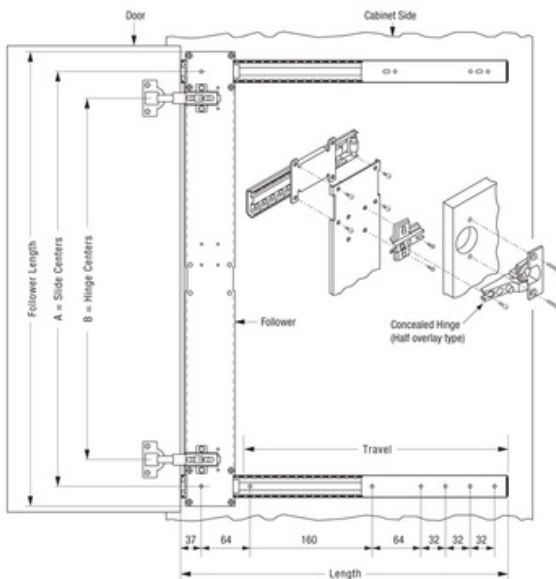
FR5400L - Locking - Side Mount | 450 lb Capacity
Full Extension | Heavy Duty Ball Bearing Slide



- Stainless steel ball bearings
- non-disconnect
- non-detachable
- lock in lock out mechanism
- ball bearing drawer slide with very high load capacity

Stock Sizes - 26"

FR5735 - Pocket Door Ball Bearing Slide System
(Inset Door Use ONLY)



- A very smooth running slide system with 6 ball bearings per inch length of the retainer.
- Follower is made of 2 mm thick steel and is very rigid without deflection
- We recommend 3 slides for extra heavy doors and above 32 in. in height
- As an option a wooden follower can also be used

WHAT YOU'LL NEED TO INSTALL / DOOR:

- 1 pair of slides
- 1 follower strip
- 1 FR5735-R (Door Guide Roller)
- Use with Salice Hinge and Baseplate: C2R6G99 and BAR3R29

Stock Slide Sizes - 18", 20" & 24"

Stock Follower Strip Sizes - 20", 26", 32" & 38"

Additional lengths may be available for order.

Contact us for pricing and availability for special order slides