



FASTMOUNT® PRODUCT CATALOG
Panel Mounting Systems

CONTENTS

Product Applications 2
 Architectural Clip Selection Guide 2
 Standard Profile Range 3, 4

Female Clips

 PC-F1A: SELF TAPPING

 PC-SF1: SURFACE MOUNT

 PC-RF1-B: SIDE SURFACE MOUNT

 PC-AF1: AUTO FIT

 PC-DC1: MASONRY ADAPTER FOR PC-F1A

Male Clips

 PC-M1B: SELF TAPPING

 PC-M2H: SELF TAPPING HEAVY DUTY

 PC-VM1: VARIO SELF TAPPING

 PC-VMX: VARIO SELF TAPPING HEAVY DUTY

 PC-SM2: SURFACE MOUNT

 PC-SM2H: SURFACE MOUNT HEAVY DUTY

 PC-SM1AC: SURFACE MOUNT ACOUSTIC PANEL LIGHTWEIGHT

Low Profile Range 5


Female Clips

 LP-F8: SELF TAPPING

 LP-DF8: SELF TAPPING COARSE THREAD


 LP-AF8A: AUTO FIT


Male Clips

 LP-M8A: SELF TAPPING

 LP-SM8AS: SURFACE MOUNT

Very Low Profile Range 6

 VL-03: CLIP SET

 VL-03H: HEAVY DUTY CLIP SET

 VL-03FR: FIRE RATED CLIP SET

Metal Range 7

Female Clips

 MC-F5: SELF TAPPING MAXI METAL

 MC-F10: SELF TAPPING MAXI METAL HEAVY DUTY

Male Clips

 MC-M5: MAXI METAL SELF TAPPING

Textile Range 8

Female Clips

 TC-F6: TEXTILE CLIP

 TC-F6H: TEXTILE CLIP QUICK RELEASE TYPE HEAVY DUTY

Male Clips

 TC-M6: TEXTILE CLIP SCREW-IN TYPE

 TC-SM6: TEXTILE CLIP SELF-ADHESIVE TYPE

Panel Control 9

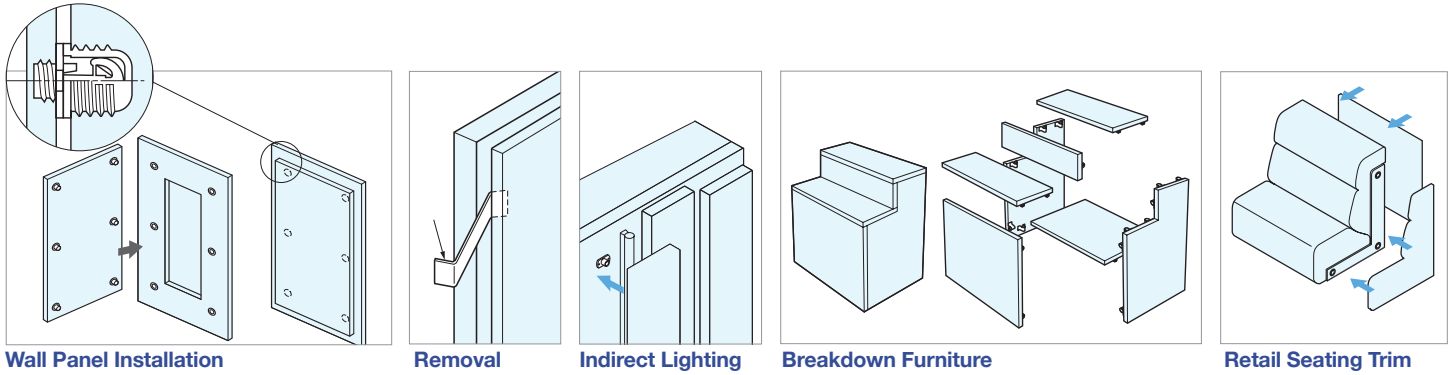
 PS-150E: SELF TAPPING

 PS-S150E: SURFACE MOUNT

Technical Notes 10

Installation Tools 11

Product Applications

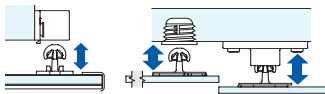


Which Clips Should I Use?

Fastmount® clips vary in size, shape, and function for use in various applications. “Profile” refers to the thickness of the support substrate; the thickness and material of the support substrate will determine the type of clips best suited to your application:

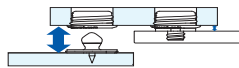
Standard Profile Clips

- Self-tapping clips can be used in applications with support substrate 9/16" or thicker; surface mount clips can be used with thinner support materials such as steel frames.
- Self-tapping, surface mount, and side surface mount clip options available.
- For use with wall and ceiling panels.
- Clip option for curved panels available.
- PC-DC1 masonry adapter for PC-F1A available for brick, concrete, and drywall.



Low Profile Clips

- For applications with support substrate 3/8" or thicker.
- Clip option for drywall mounting available (wall panels only).



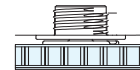
Very Low Profile Clips

- Can be surface or recessed mounted – no minimum substrate thickness.
- No specialized tools required for installation.
- Fire resistant model available.
- For light weight panels.



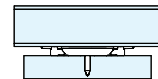
Metal Clips

- Metal clip to withstand high temperatures.
- Allows for tolerance and panel flex (self-centering).
- Provides acoustic and vibration isolation.



Textile Clips

- Enables quick installation and easy removal of cushions.
- Replaces hook-and-loop tapes, snaps, and straps for cushions on outdoor furniture and marine applications.



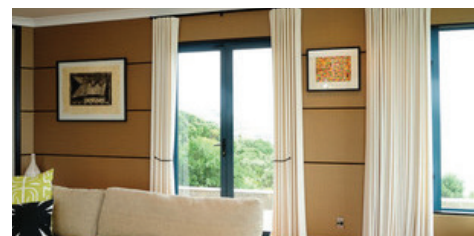
Architectural Clip Selection Guide


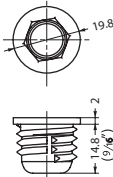
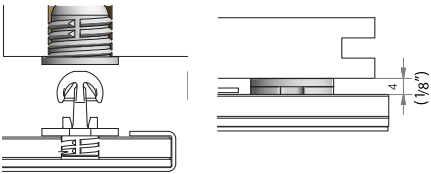

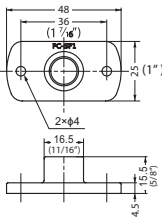
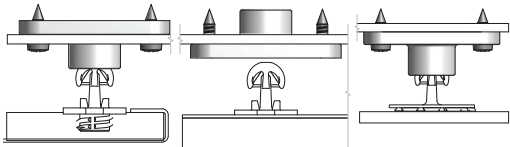

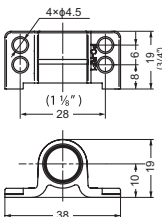
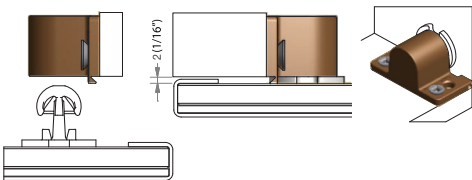

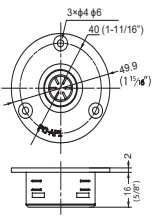
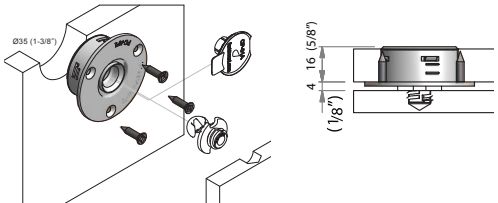

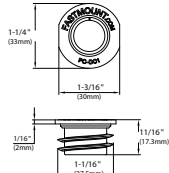
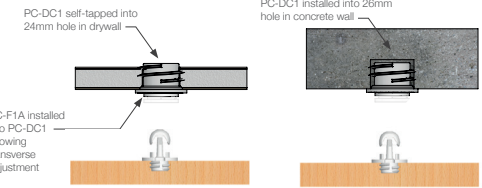
SUBSTRATE	PLYWOOD PANEL	MDF PANEL	PARTICLE BOARD	ACOUSTIC PANEL	HONEYCOMB PANEL
WOOD FRAMES	PC-F1A + PC-VM1 PC-F1A + PC-M2H PC-F1A + PC-SM2H	PC-F1A + PC-VM1 PC-F1A + PC-M2H	PC-F1A + PC-VM1 PC-F1A + PC-M2H	LP-F8 + LP-SM8AS	LP-F8 + LP-SM8AS
STEEL FRAMES	PC-SF1 + PC-M1B PC-SF1 + PC-M2H PC-SF1 + PC-SM2 PC-SF1 + PC-SM2H	PC-SF1 + PC-M1B PC-SF1 + PC-SM2H	PC-SF1 + PC-M1B PC-SF1 + PC-SM2H + glue thread	PC-SF1 + PC-SM2	PC-SF1 + PC-SM2
CONCRETE	PC-DC1 + PC-F1A + PC-VM1 PC-DC1 + PC-F1A + PC-M2H PC-DC1 + PC-F1A + PC-SM2H	PC-DC1 + PC-F1A + PC-VM1 PC-DC1 + PC-F1A + PC-M2H	PC-DC1 + PC-F1A + PC-VM1 PC-DC1 + PC-F1A + PC-M2H	PC-DC1 + PC-F1A + PC-SM1AC	PC-DC1 + PC-F1A + PC-SM2 PC-DC1 + PC-F1A + PC-SM2H
CONCRETE + WOOD FRAMES	PC-F1A + PC-M2H PC-F1A + PC-SM2 PC-F1A + PC-SM2H	PC-F1A + PC-M2H PC-F1A + PC-SM2 PC-F1A + PC-SM2H	PC-F1A + PC-M2H PC-F1A + PC-SM2 PC-F1A + PC-SM2H	Must use Wood Frames + LP-F8 + LP-SM8AS	Must use Wood Frames + LP-F8 + LP-SM8AS
DRYWALL	LP-DF8 + LP-M8A LP-DF8 + LP-SM8AS PC-DC1 + PC-F1A + PC-VM1 PC-DC1 + PC-F1A + PC-M2H PC-DC1 + PC-F1A + PC-SM2H	LP-DF8 + LP-M8A LP-DF8 + LP-SM8AS PC-DC1 + PC-F1A + PC-VM1 PC-DC1 + PC-F1A + PC-M2H	LP-DF8 + LP-M8A LP-DF8 + LP-SM8AS PC-DC1 + PC-F1A + PC-VM1 PC-DC1 + PC-F1A + PC-M2H	LP-DF8 + LP-SM8AS with HMA (hot glue) PC-DC1 + PC-F1A + PC-SM1AC	LP-DF8 + LP-SM8AS - with epoxy glue PC-DC1 + PC-F1A + PC-SM2 PC-DC1 + PC-F1A + PC-SM2H
PLYWOOD, MDF	PC-F1A + PC-M1B PC-F1A + PC-M2H PC-F1A + PC-SM2 PC-F1A + PC-SM2H	PC-F1A + PC-M1B PC-F1A + PC-M2H PC-F1A + PC-SM2 PC-F1A + PC-SM2H	PC-F1A + PC-M1B PC-F1A + PC-M2H PC-F1A + PC-SM2 PC-F1A + PC-SM2H	LP-F8 + LP-SM8AS	LP-F8 + LP-SM8AS - with epoxy glue

This Clip Selection Guide should be used as a general guide only. Please contact customer service for more detailed advice if required. For overhead panels, a trial installation is strongly recommended to prove compatibility of Fastmount® systems with the panels and substrates in your project.

Standard Profile Range

The Standard Profile Clips offer the greatest variety of installation options and can be used for both wall and ceiling panels. Self-tapping clips can be used in applications with support substrate 9/16" or thicker; surface mount clips can be used with thinner support materials such as steel frames.



Female Clips			
Item No.	Dimensions	Diagram	Description
<p>PC-F1A</p> 			<p>SELF TAPPING</p> <p>Mounts into: 0.66" (16.8mm) hole drill with CT-01, CT-07</p> <p>Install with: CT-03</p> <p>Compatible with Standard Profile Male Clips: PC-M1B, PC-M2H, PC-VM1, PC-VMX, PC-SM1AC PC-SM2, PC-SM2H</p> <p>Box: 100 Carton: 500</p>
<p>PC-SF1</p> 			<p>SURFACE MOUNT</p> <p>Affix with #6 screws.</p> <p>Compatible with Standard Profile Male Clips: PC-M1B, PC-M2H, PC-VM1, PC-VMX, PC-SM1AC PC-SM2, PC-SM2H</p> <p>Box: 100 Carton: 500</p>
<p>PC-RF1-B</p> 			<p>SIDE SURFACE MOUNT</p> <p>Affix with #6 screws.</p> <p>Compatible with Standard Profile Male Clips: PC-M1B, PC-M2H, PC-VM1, PC-VMX, PC-SM1AC PC-SM2, PC-SM2H</p> <p>Box: 100 Carton: 500</p>
<p>PC-AF1</p> 			<p>AUTO FIT</p> <p>Lateral adjustment for use with curved panels. Affix with #6 screws.</p> <p>Mounts into: 1-3/8" (35mm) hole</p> <p>Compatible with Standard Profile Male Clips: PC-M1B, PC-M2H, PC-VM1, PC-VMX, PC-SM1AC PC-SM2, PC-SM2H</p> <p>Box: 100 Carton: 500</p>
<p>PC-DC1</p> 			<p>SELF TAPPING</p> <p>Masonry Drywall Adapter for PC-F1A</p> <p>Mounts into: 1" (24~26mm) hole</p> <p>Use with: PC-F1A</p> <p>Install with: rubber mallet (not provided).</p> <p>Box: 100 Carton: 1000</p>

Accessories



CP-01-ST STAINLESS STEEL TIP

Stainless Steel tip for marking panels made of hard materials. Fits into the PC-F1A, PC-SF1, PC-RF1 and PC-AF1 female clips. Use to mark hole center in panel for correct clip alignment.

Installation Tools: Standard Profile




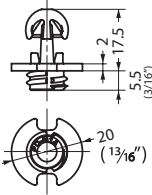
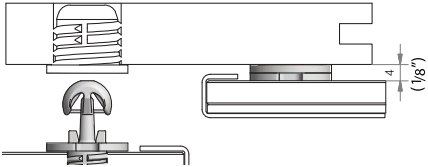

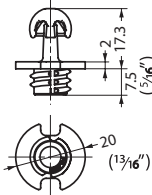
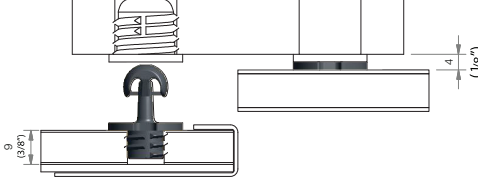

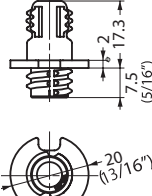
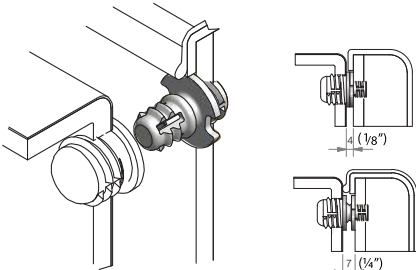

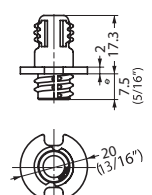
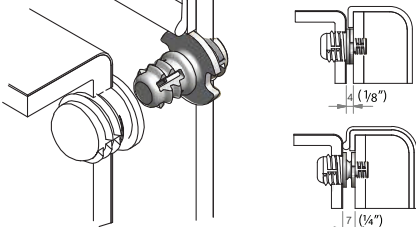

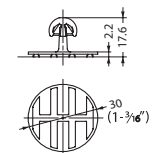
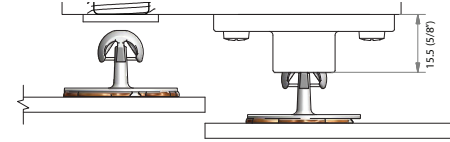

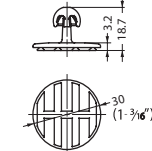
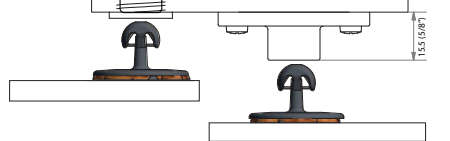

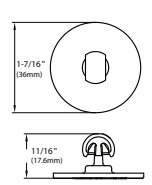
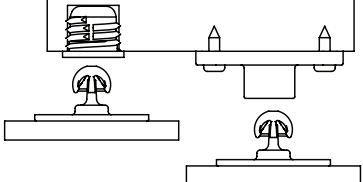
CT-08 YARD KIT 6 TOOLS

One each CT-01, CT-03, CT-05, CT-07, CT-09, and CT-10 in plastic box. Use to install self-tapping standard profile clips.

Standard Profile Range


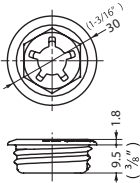
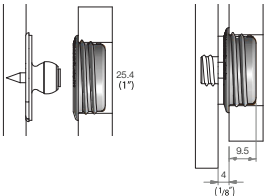

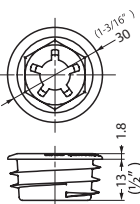
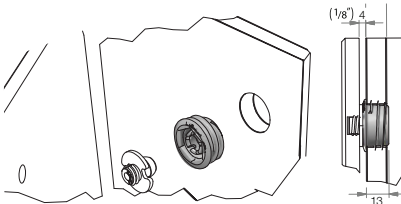

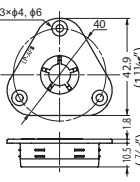
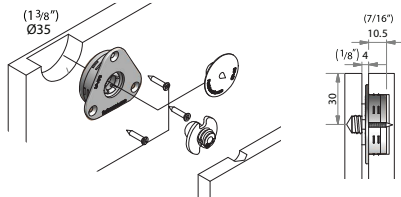



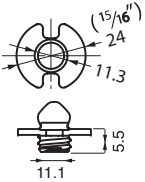
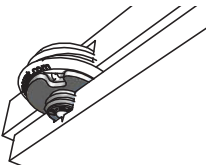

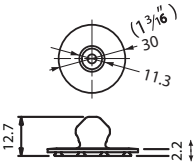
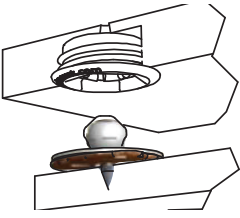
Male Clips

Item No.	Dimensions	Diagram	Description
<p>PC-M1B</p> 			<p>SELF TAPPING Mounts into: 3/8" (10mm) hole drilled with CT-01 or CT-09 Fits into: PC-F1A, PC-SF1, PC-RF1, PC-AF1 Install with: CT-10 Pull Out Force: 11 lbs (5kg) Box: 100 Carton: 1,000</p>
<p>PC-M2H</p> 			<p>SELF TAPPING HEAVY DUTY Mounts into: 3/8" (10mm) drilled with CT-01 or CT-09 Fits into: PC-F1A, PC-SF1, PC-RF1, PC-AF1 Install with: CT-10 Minimum panel thickness: 11/32" (9mm) Pull Out Force: 22 lbs (10kg) Box: 100 Carton: 500</p>
<p>PC-VM1</p> 			<p>VARIO SELF TAPPING Variable gap, high shear strength. Mounts into: 3/8" (10mm) drilled with CT-01 or CT-09 Fits into: PC-F1A, PC-SF1, PC-RF1, PC-AF1 Install with: CT-10 Minimum panel thickness: 11/32" (9mm) Pull Out Force: 11lbs (5kg) Box: 100 Carton: 500</p>
<p>PC-VMX</p> 			<p>VARIO SELF TAPPING HEAVY DUTY Variable gap, high shear strength. Mounts into: 3/8" (10mm) drilled with CT-01 or CT-09 Fits into: PC-F1A, PC-SF1, PC-RF1, PC-AF1 Install with: CT-10 Minimum panel thickness: 11/32" (9mm) Pull Out Force: 33 lbs (15kg) Box: 100 Carton: 500</p>
<p>PC-SM2</p> 			<p>SURFACE MOUNT Adhesive fix super-groove base. Fits into: PC-F1A, PC-SF1, PC-RF1, PC-AF1 Pull Out Force: 11lbs (5kg) Box: 100 Carton: 500</p>
<p>PC-SM2H</p> 			<p>SURFACE MOUNT HEAVY DUTY Adhesive fix super-groove base. Fits into: PC-F1A, PC-SF1, PC-RF1, PC-AF1 Pull Out Force: 22 lbs (10kg) Box: 100 Carton: 500</p>
<p>PC-SM1AC</p> 			<p>SURFACE MOUNT ACOUSTIC FABRIC PANEL LIGHTWEIGHT Adhesive fix directly onto panel. Fits into: PC-F1A, PC-SF1, PC-RF1, PC-AF1 Pull Out Force: 4.4 lbs (2kg) Box: 100 Carton: 1000</p>

Low Profile Range

For applications with thin support substrates, 3/8" (10mm) or thicker. LP-DF8 option available for wall panel applications on drywall.

Female Clips			
Item No.	Dimensions	Diagram	Description
LP-F8 			SELF TAPPING Mounts into: 1" (25-25.4mm) hole Fits into: Plywood and MDF boards. Install tool: CT-19 Compatible with Low Profile Male Clips: LP-M8A, LP-SM8AS Box: 100 Carton: 500
LP-DF8 			SELF TAPPING COARSE THREAD Mounts into: 1" (25-25.4mm) hole Fits into: Drywall (sheetrock) and soft core materials 1/2" (12mm) or thicker. Install tool: CT-19, in battery drill with correct clutch setting Compatible with Low Profile Male Clips: LP-M8A, LP-SM8AS Box: 100 Carton: 500
LP-AF8A 			AUTO FIT Lateral adjustment for use with curved panels. Affix with #6 countersunk screws. Mounts into: 1 3/8" (35mm) pre-drilled hole in substrate Fits into: Plywood, MDF, fiberglass, etc., 7/16" (10.5mm) or thicker. Compatible with Low Profile Male Clips: LP-M8A, LP-SM8AS Box: 25 Carton: 250

Male Clips			
Item No.	Dimensions	Diagram	Description
LP-M8A 			SELF TAPPING Mounts into: Plywood & MDF type boards with 3/8" (10mm) hole Fits into: LP-F8, LP-DF8, LP-AF8A Install with: CT-10 Pull Out Force: 11 lbs (5kg) Box: 100 Carton: 500
LP-SM8AS 			SURFACE MOUNT Can be glued or screwed into place with a self-tapping 3/4" #4 screw. Mounts onto: Plywood or MDF panels. Fits into: LP-F8, LP-DF8, LP-AF8A Pull Out Force: 11 lbs (5kg) Box: 100 Carton: 500

Accessories



CP-08ST LOW PROFILE CLIP CENTER POINT – STEEL TIP
 Stainless steel tip for marking panels made of hard materials. Fits into the LP-F8 and LP-DF8 female clips. Use to mark hole center in panel for correct clip alignment.

Installation Tools: Low Profile Series



LP-08Y YARD KIT LOW PROFILE
 Contains tools for installing Low Profile Range clips and panel removal tool. Plastic box with CT-05, CT-09, CT-10, CT-19.

Very Low Profile Range

Perfect for mounting removable thin wall panels and facings. This clip set requires less depth compared to other Fastmount® ranges. No special installation tools are required. The clips set may be adhesive and/or screw fixed. Ideal for mounting panels where no drilling is preferred. Typical applications include wall panels, headboards and inspection panels. VL-03FR clips are made of flame retardant plastic, rated at UL94 V-0 for applications requiring fire rated materials.

VL-03/VL03H				
Item No.		Dimensions	Diagram Spacing Options	Description
VL-03 (Standard) VL-03H (Heavy Duty) VL-03FR (Fire Rated)	Female Clip		Surface Mount 	CLIP SET For surface or recessed mounting. Can be screw or glue fixed. No special tools needed. Supplied with: Stainless steel screw (VL-SS3). 1 screw included with VL-03 and VL03H. 2 screws included with VL03FR. Pull Out Force: VL-03: 11 lbs (5kg) per clip VL-03H: 22 lbs (10kg) per clip VL-03FR: 22 lbs (10kg) per clip Box: 100 Carton: 500
	Male Clip		Recess Mount 	

Accessories



VL-CP3 VERY LOW PROFILE CENTER POINT
 Use to mark hole center in panel for correct clip alignment. Has stainless steel tip for marking panel or frame.
 Tip: Push fits into either side of nylon molding.

Installation: Female & Male Clips



GLUE
 When fixed with adhesive (glue), use in accordance with manufacturer's instructions.


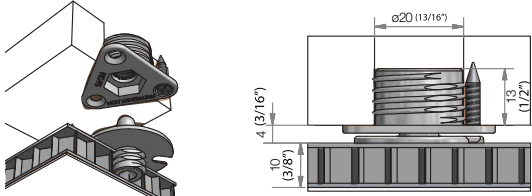

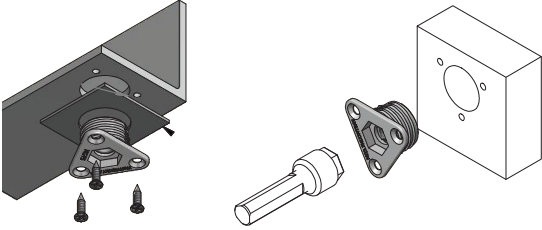

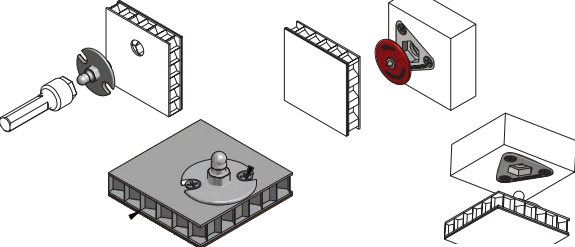


VL-SS3 STAINLESS STEEL SCREW
 Custom type 303 stainless steel screw for fixing VL-M3 into panels down to 1/4" (5.5mm) thick.



Metal Clip Range

For applications with heavy panels or requiring heat resistance. These patent pending metal based clips are specifically designed to withstand high temperatures and to provide acoustic and vibration isolation. The self-centering design allows for tolerance and panel flexing as well as the ability to be heavy load bearing.

Female Clips		
Item No.	Diagram	Description
<p>MC-F5</p> 		<p>SELF TAPPING MAXI METAL</p> <p>Affix with #6 screws. Install with: MC-IT5 Compatible with Maxi Metal Male Clip: MC-M5 Pull out force: 11 lbs (5kg)</p> <p>Box: 10 Carton: 100</p>
<p>MC-F10</p> 		<p>SELF TAPPING MAXI METAL HEAVY DUTY</p> <p>Affix with #6 screws. Install with: MC-IT5 Compatible with Maxi Metal Male Clip: MC-M5 Pull out force: 22 lbs (10kg)</p> <p>Box: 10 Carton: 100</p>
Male Clips		
Item No.	Diagram	Description
<p>MC-M5</p> 		<p>SELF TAPPING</p> <p>Affix with #6 screws. Mounts into: 3/8" (10mm) hole Fits into: MC-F5, MC-F10 Install with: MC-IT5 Pull Out Force: 11 lbs (5kg) using with MC-F5 22 lbs (10kg) using with MC-F10</p> <p>Box: 10 Carton: 100</p>

Accessories



MC-CP5 METAL CLIP CENTER POINT

Center point fits MC-F5 metal clip. Use to mark hole center in panel, for correct clip alignment. Has stainless steel tip for marking panel.



Installation Tools: Metal Clip Series



CT-09 PANEL DRILL 10MM FORSTNER TYPE

Use with Standard Profile, Low Profile and Maxi Metal Range. To drill blind holes in the back of panels.



MC-IT5 INSTALL TOOL FOR MC-F5 & MC-M5

For installation of self tapping male MC-M5 and female MC-F5 or MC-F10 into plywood or similar. Use battery drill with correct torque setting.


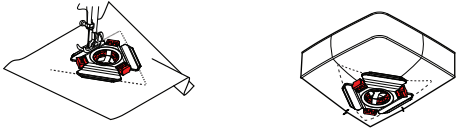


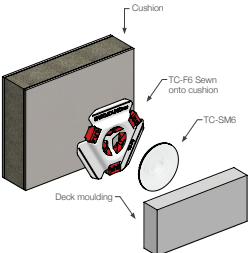


CT-05 PANEL REMOVAL TOOL

Stainless steel tool for removing covered (upholstered) panels. Do not use with painted panels.

Textile Clip Range

The Textile Range has been specifically designed for the mounting of soft textiles to hard surfaces. The hidden system locks into place, and can only be removed by unlocking the clip, providing added security under high winds and seas. Makes cushions simple to install, remove and replace. Typical applications include sun loungers, exterior and interior cushions, seat bases and backs.

Female Clips		
Item No.	Diagram	Description
<p>TC-F6</p> 		<p>TEXTILE FEMALE CLIP</p> <p>Affix by sewing TC-F6 onto cushion with needle size 110/18 and V92 or T90 Bonded Outdoor Polyester Thread. Compatible with Male Textile Clip: TC-M6, TC-SM6</p> <p>Box: 100 Carton: 500</p>
<p>TC-F6H</p> 		<p>QUICK RELEASE TEXTILE FEMALE CLIP HEAVY DUTY</p> <p>Affix by sewing TC-F6H onto cushion with needle size 110/18 and V92 or T90 Bonded Outdoor Polyester Thread. Compatible with Male Textile Clip: TC-M6, TC-SM6</p> <p>Box: 100 Carton: 500</p>
Male Clips		
Item No.	Diagram	Description
<p>TC-M6</p> 		<p>TEXTILE MALE CLIP - SCREW-IN TYPE</p> <p>Affix with #6 screw. Compatible with Female Textile Clip: TC-F6, TC-F6H</p> <p>Break out load: 22 lbs (10kg)</p> <p>Box: 100 Carton: 500</p>
<p>TC-SM6</p> 		<p>TEXTILE MALE CLIP - SELF ADHESIVE TYPE</p> <p>Affix with adhesive backing - clips supplied with VHB tape backing. Compatible with Female Textile Clip: TC-F6, TC-F6H</p> <p>Break out load: 22 lbs (10kg)</p> <p>Box: 100 Carton: 500</p>

Accessories



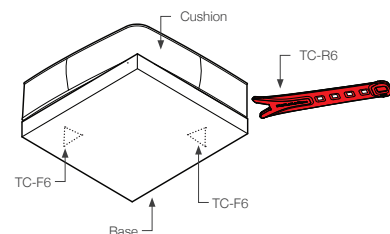
TC-CP6H
Textile Range centerpoint with stainless steel tip to mark hole center in panel for correct clip alignment. See install guide.



Removal Tool: Textile Clip Series


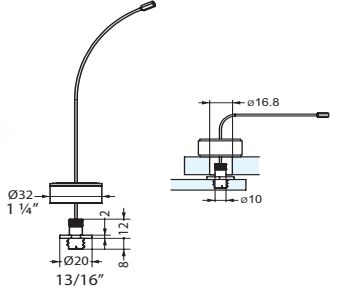
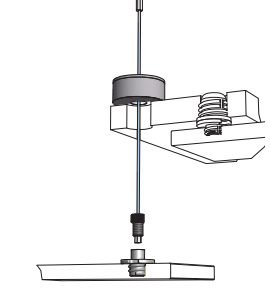
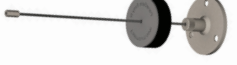
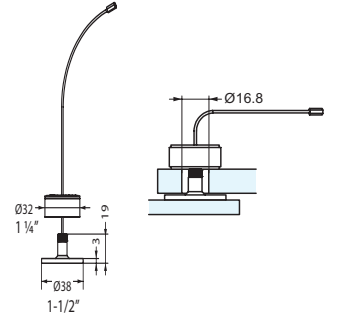
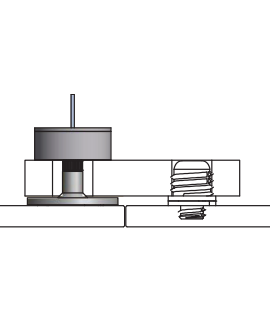


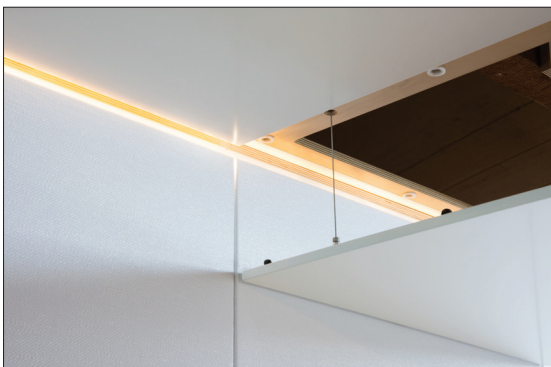
TC-R6
Plastic Removal tool for releasing multiple TC-F6 female clips.
 Note: TC-F6H can be manually released by hand.



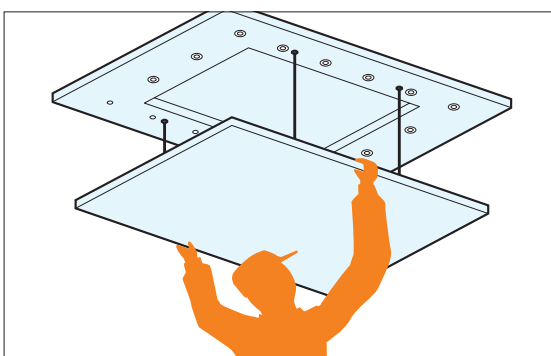
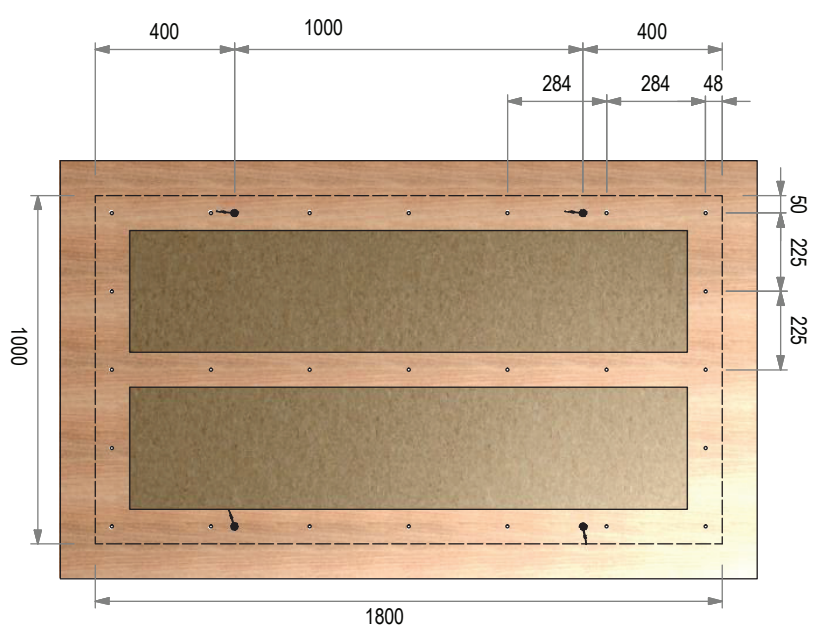
Panel Control

Use in conjunction with standard profile clips to provide additional security and control. Especially well suited for ceiling panels, exit corridors and heavy panels which must be accessed often.

Item No.	Dimensions	Diagram	Description
<p>PS-150E</p> 	 <p>Ø32 1 1/4" Ø20 13/16" Ø16.8 Ø10</p>		<p>SELF TAPPING 150MM</p> <p>Install with: CT-10 Standard drop length: 5 7/8" (150mm)</p> <p>Box: 4 Carton: 40</p>
<p>PS-S150E</p> 	 <p>Ø32 1 1/4" Ø38 1-1/2" Ø16.8</p>		<p>SURFACE MOUNT 150MM</p> <p>Affix with #6 screw or adhesive. Standard drop length: 5 7/8" (150mm)</p> <p>Box: 4 Carton: 40</p>



Sample Layout using Panel Control Hardware



Technical Notes

Pull-out force

The pull-out force will vary depending on the clip type and are specified on each product sheet. They are generally minimum 11 lb. (5kg) for typical standard range clips and 22 lb. (10kg) for heavy duty clips.

The shock load is less and can be as low as 4.4 lb (2kg), depending on the type of shock load. Clips never load simultaneously on a panel, so if a panel has 10 clips it does not mean the force required to remove the panel (or the force the panel will take) is 10x 11 lb. (5kg).

Clip spacing and panel loads

Panels need to be supported evenly around the perimeter to eliminate sagging. The clip spacing requirements will vary depending on the application.

Although many of the Fastmount® clip sets will hold more than your theoretical panel load, the reality of unknown conditions means panels and clips could be subjected to shock loads (g-forces) from seismic shocks.

Fastmount® with different materials

You can mount Fastmount® clips into or onto most panel products such as plywood, MDF, plastic, fiberglass, HPL, sandwich panels and composite panels. It is not recommended to use very heavy materials. The LP-DF8 coarse thread female clip is designed to work with drywall (sheetrock).

Drill setting and self tapping clips

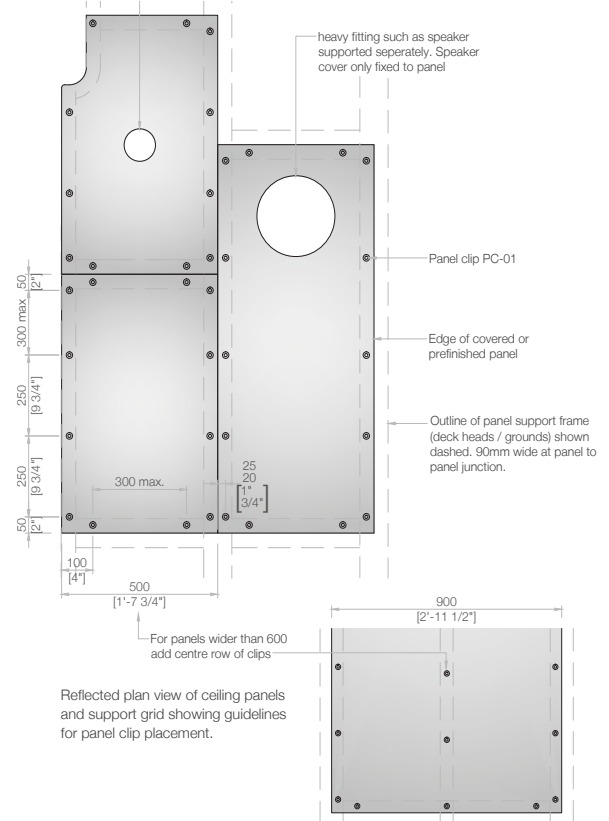
The clutch setting on battery drills when fitting clips varies from drill to drill. It will depend on the battery charge condition and on the material you are screwing into.

Once 2 or 3 test clips have been fitted, you will have a good feel for a setting that screws the clips home, but does not over tighten them. If the clips are breaking, the drill setting is too powerful. Some hard materials require a chamfer at the hole edge.

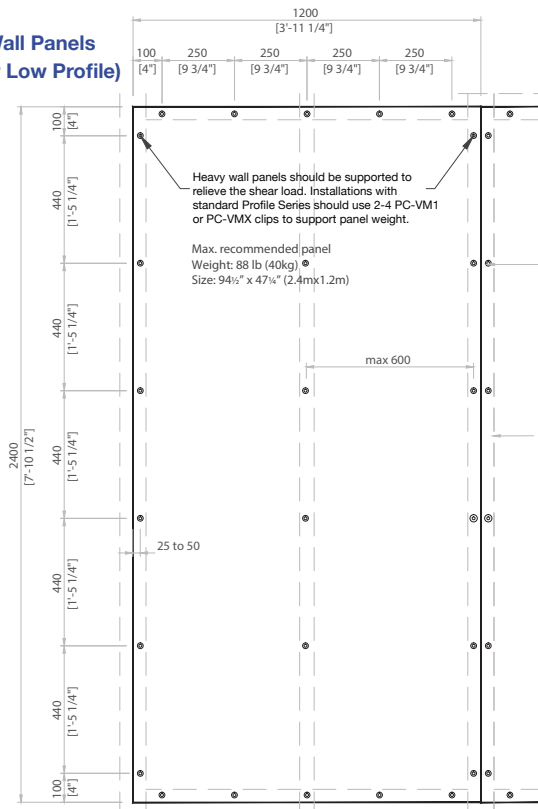
Adhesives for surface mount clips

The patent pending super-groove design means the Fastmount® surface mount clips use a mechanical engagement to secure the clip, so adhesive selection is mostly dependent on panel material. We recommend two-part epoxies that are suitable for panel materials. A typical two-part epoxy will hold the clip at over three times the clipping load 66-88 lb (30-40kg) per clip.

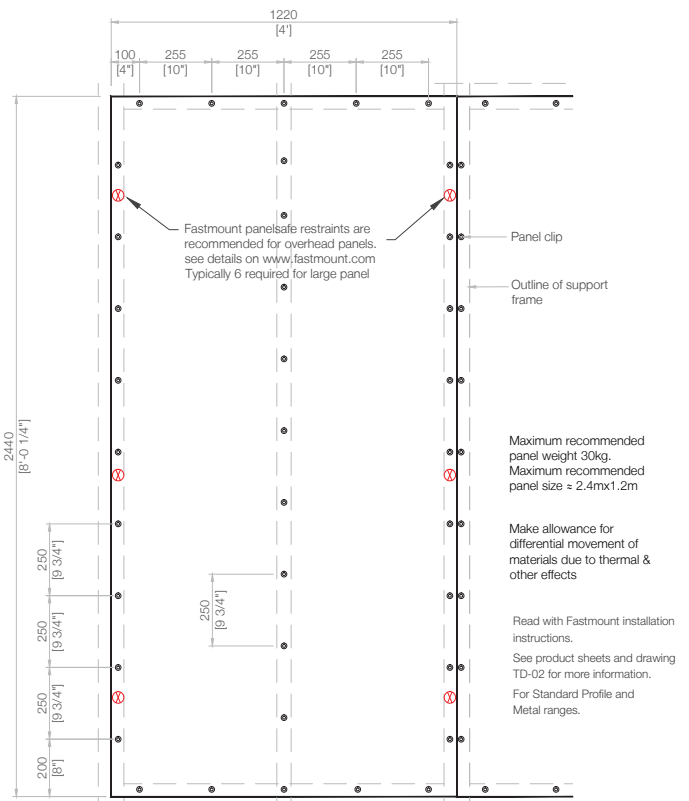
Layout for Small or Lightweight Ceiling Panels



Layout for Wall Panels (Standard or Low Profile)













Layout for Large or Heavy Ceiling Panels (Standard Profile or Metal)



Installation Tools

For installation quality and performance, the following tools are available for use.

<p>CT-01</p> 	<p>3/8" (10MM) DRILL CARBIDE TIPPED For use with the Standard Profile and Low Profile ranges. For drilling through panel and creating pilot hole for CT-07.</p>	<p>CT-10</p> 	<p>INSTALL TOOL SELF TAPPING MALE CLIPS (ALUMINIUM) For use with Standard Profile, Low Profile and Panel Control range. Use to install self tapping male PC-M1B, PC-M2H, PC-VM1, PC-VMX, PS-150 and LP-M8 with battery drill on correct torque setting.</p>
<p>CT-03</p> 	<p>INSTALL TOOL FOR PC-F1A For use with Standard Profile clip PC-F1A. Use to install self tapping female PC-F1A with battery drill on correct torque setting.</p>	<p>CT-12</p> 	<p>1-1/4" (31MM) HSS COUNTERSINK DRILL BIT WITH 3/8" (10MM) SHANK High speed steel (HSS) bit with 3/8" (10mm) shank used to countersink the edge of holes in hard materials. Designed for use with MDF, plywood, fiberglass, and plastics when preparing the material for self-tapping clips.</p>
<p>CT-05</p> 	<p>PANEL REMOVAL TOOL Stainless steel tool for removing upholstered panels. Not for use with painted panels.</p>	<p>CT-13A</p> 	<p>11/16" (16.8MM) ONE STEP DRILL CARBIDE TIPPED For use with Standard Profile clip PC-F1A. Carbide tip drill with 16.8 diameter for drilling holes into fiberglass, carbon fiber and kevlar laminates.</p>
<p>CT-05H</p> 	<p>PANEL REMOVAL TOOL WITH HOOK Dual purpose reinforced stainless steel tool with fold down hook for use with lacquered and/or textured panels.</p>	<p>CT-15</p> 	<p>THREAD TAP FOR PC-F1A For use with Standard Profile clip PC-F1A. Tap tool for tapping thread to fit PC-F1A into fibreglass, aluminium or similar. Either drill hole with CT-13A or drill out 10mm hole with CT-07 then tap with CT-15.</p>
<p>CT-07</p> 	<p>STEP DRILL CARBIDE TIPPED For use with Standard Profile clip PC-F1A. Tungsten tip drill with 16.8mm diameter for drilling 10mm hole in frame.</p>	<p>CT-18DG</p> 	<p>DRILL GUIDE INSTALLATION JIG FOR PC-RF1 Adjustable drill guide for use with the Standard Profile Clip, PC-RF1.</p>
<p>CT-09</p> 	<p>3/8" (10MM) FORSTNER TYPE DRILL CARBIDE TIPPED For use with Standard Profile, Low Profile and Metal ranges. For drilling blind holes into the back of panels.</p>	<p>CT-19</p> 	<p>INSTALL TOOL LOW PROFILE RANGE (ALUMINIUM) For use with Low Profile range. Aluminium install tool for female clips LP-F8 and LP-DF8 with battery drill on correct torque setting. Ideal for large quantity installations.</p>
<p>CT-09DG</p> 	<p>DRILL GAUGE FOR CT-09 DRILL BIT For use with CT-09 Forstner drill bit. Designed for depth control when blind drilling for Standard and Low Profile range male clips. Incorporates a sealed roller bearing for smooth operation, and is easily adjustable with an Allen wrench. Made of machined aluminum housing with an anodized red finish. (CT-09 bit sold separately)</p>	<p>CT-22</p> 	<p>TAP FOR MALE CLIPS IN STANDARD AND LOW PROFILE RANGES New product for tapping thread into hard materials for male clips, PC-M1B, PC-M2H, PC-VM1, PC-VMX, LP-M8A, MC-M5, PS-150, PS-150E (self tapping male end).</p>



DISCLAIMER:

Specifications, features, illustrations, certifications and materials shown in this catalog are based upon the latest available information at the time of publication. Although descriptions are believed to be correct, accuracy cannot be guaranteed. Sugatsune reserves the right to make changes at any time, without notice or obligation, in finishes, materials, sizes, specifications and availability and disclaims any and all liability for typographical, printing or production errors or changes affecting the products and/or specifications contained herein.

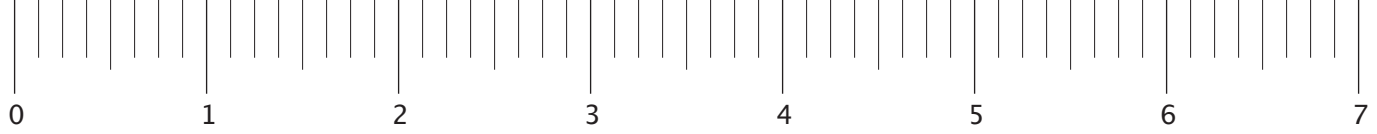
Actual performance of products may vary based upon many factors and may be less than stated. Differences in construction and build materials, designs or configurations may affect product performance and therefore, the customer is solely responsible for making the final selection of the product(s) to be used and to assure that all performance, safety and warning requirements of the application are satisfied.

Inch to Metric Conversion table

Metric to Inch Conversion

	1"	2"	3"	4"	5"	6"	7"	8"	9"	10"	11"	12"	
0/0	0.0	25.4	50.8	76.2	101.6	127.0	152.4	177.8	203.2	228.6	254.0	279.4	304.8
1/64	0.4	25.8	51.2	76.6	102.0	127.4	152.8	178.2	203.6	229.0	254.4	279.8	305.2
1/32	0.8	26.2	51.6	77.0	102.4	127.8	153.2	178.6	204.0	229.4	254.8	280.2	305.6
3/64	1.2	26.6	52.0	77.4	102.8	128.2	153.6	179.0	204.4	229.8	255.2	280.6	306.0
1/16	1.6	27.0	52.4	77.8	103.2	128.6	154.0	179.4	204.8	230.2	255.6	281.0	306.4
5/64	2.0	27.4	52.8	78.2	103.6	129.0	154.4	179.8	205.2	230.6	256.0	281.4	306.8
3/32	2.4	27.8	53.2	78.6	104.0	129.4	154.8	180.2	205.6	231.0	256.4	281.8	307.2
7/64	2.8	28.2	53.6	79.0	104.4	129.8	155.2	180.6	206.0	231.4	256.8	282.2	307.6
1/8	3.2	28.6	54.0	79.4	104.8	130.2	155.6	181.0	206.4	231.8	257.2	282.6	308.0
9/64	3.6	29.0	54.4	79.8	105.2	130.6	156.0	181.4	206.8	232.2	257.6	283.0	308.4
5/32	4.0	29.4	54.8	80.2	105.6	131.0	156.4	181.8	207.2	232.6	258.0	283.4	308.8
11/64	4.4	29.8	55.2	80.6	106.0	131.4	156.8	182.2	207.6	233.0	258.4	283.8	309.2
3/16	4.8	30.2	55.6	81.0	106.4	131.8	157.2	182.6	208.0	233.4	258.8	284.2	309.6
13/64	5.2	30.6	56.0	81.4	106.8	132.2	157.6	183.0	208.4	233.8	259.2	284.6	310.0
7/32	5.6	31.0	56.4	81.8	107.2	132.6	158.0	183.4	208.8	234.2	259.6	285.0	310.4
15/64	6.0	31.4	56.8	82.2	107.6	133.0	158.4	183.8	209.2	234.6	260.0	285.4	310.8
1/4	6.4	31.8	57.2	82.5	108.0	133.4	158.8	184.2	209.6	235.0	260.4	285.8	311.2
17/64	6.7	32.1	57.5	82.9	108.3	133.7	159.1	184.5	209.9	235.3	260.7	286.1	311.5
9/32	7.1	32.5	57.9	83.3	108.7	134.1	159.5	184.9	210.3	235.7	261.1	286.5	311.9
19/64	7.5	32.9	58.3	83.7	109.1	134.5	159.9	185.3	210.7	236.1	261.5	286.9	312.3
5/16	7.9	33.3	58.7	84.1	109.5	134.9	160.3	185.7	211.1	236.5	261.9	287.3	312.7
21/64	8.3	33.7	59.1	84.5	109.9	135.3	160.7	186.1	211.5	236.9	262.3	287.7	313.1
11/32	8.7	34.1	59.5	84.9	110.3	135.7	161.1	186.5	211.9	237.3	262.7	288.1	313.5
23/64	9.1	34.5	59.9	85.3	110.7	136.1	161.5	186.9	212.3	237.7	263.1	288.5	313.9
3/8	9.5	34.9	60.3	85.7	111.1	136.5	161.9	187.3	212.7	238.1	263.5	288.9	314.3
25/64	9.9	35.3	60.7	86.1	111.5	136.9	162.3	187.7	213.1	238.5	263.9	289.3	314.7
13/32	10.3	35.7	61.1	86.5	111.9	137.3	162.7	188.1	213.5	238.9	264.3	289.7	315.1
27/64	10.7	36.1	61.5	86.9	112.3	137.7	163.1	188.5	213.9	239.3	264.7	290.1	315.5
7/16	11.1	36.5	61.9	87.3	112.7	138.1	163.5	188.9	214.3	239.7	265.1	290.5	315.9
29/64	11.5	36.9	62.3	87.7	113.1	138.5	163.9	189.3	214.7	240.1	265.5	290.9	316.3
15/32	11.9	37.3	62.7	88.1	113.5	138.9	164.3	189.7	215.1	240.5	265.9	291.3	316.7
31/64	12.3	37.7	63.1	88.5	113.9	139.3	164.7	190.1	215.5	240.9	266.3	291.7	317.1
1/2	12.7	38.1	63.5	88.9	114.3	139.7	165.1	190.5	215.9	241.3	266.7	292.1	317.5
33/64	13.1	38.5	63.9	89.3	114.7	140.1	165.5	190.9	216.3	241.7	267.1	292.5	317.9
17/32	13.5	38.9	64.3	89.7	115.1	140.5	165.9	191.3	216.7	242.1	267.5	292.9	318.3
35/64	13.9	39.3	64.7	90.1	115.5	140.9	166.3	191.7	217.1	242.5	267.9	293.3	318.7
9/16	14.3	39.7	65.1	90.5	115.9	141.3	166.7	192.1	217.5	242.9	268.3	293.7	319.1
37/64	14.7	40.1	65.5	90.9	116.3	141.7	167.1	192.5	217.9	243.3	268.7	294.1	319.5
19/32	15.1	40.5	65.9	91.3	116.7	142.1	167.5	192.9	218.3	243.7	269.1	294.5	319.9
39/64	15.5	40.9	66.3	91.7	117.1	142.5	167.9	193.3	218.7	244.1	269.5	294.9	320.3
5/8	15.9	41.3	66.7	92.1	117.5	142.9	168.3	193.7	219.1	244.5	269.9	295.3	320.7
41/64	16.3	41.7	67.1	92.5	117.9	143.3	168.7	194.1	219.5	244.9	270.3	295.7	321.1
21/32	16.7	42.1	67.5	92.9	118.3	143.7	169.1	194.5	219.9	245.3	270.7	296.1	321.5
43/64	17.1	42.5	67.9	93.3	118.7	144.1	169.5	194.9	220.3	245.7	271.1	296.5	321.9

mm	Inches
0.1	0.0039
0.2	0.0079
0.3	0.0118
0.4	0.0157
0.5	0.0197
0.6	0.0236
0.7	0.0276
0.8	0.0315
0.9	0.0354
1	0.0394
2	0.0787
3	0.1181
4	0.1575
5	0.1969
6	0.2362
7	0.2756
8	0.3150
9	0.3543
10	0.3937
11	0.4331
12	0.4724
13	0.5118
14	0.5512
15	0.5906
16	0.6299
17	0.6693
18	0.7087
19	0.7480
20	0.7874
21	0.8268
22	0.8661
23	0.9055
24	0.9449
25	0.9843
26	1.0236
27	1.0630
28	1.1024
29	1.1417
30	1.1811
31	1.2205
32	1.2598
33	1.2992
34	1.3386
35	1.3780



Inches

Measurement Conversions

LENGTH

cm	mm	inch	feet
1	10	0.394	0.0328
0.1	1	0.0394	0.00328
2.54	25.4	1	0.083
30.48	304.8	12	1

inch = mm ÷ 25.4

mm = inch x 25.4

WEIGHT

g	kg	oz	lb
1	0.001	0.0353	0.0022
1000	1	35.27	2.205
28.4	0.0284	1	0.0625
453.6	0.454	16	1

lb = kg x 2.205

kg = lb ÷ 2.205

FORCE

N	kgf	lbf
1	0.10197	0.225
9.807	1	2.205
4.448	0.454	1

N = kgf x 9.807

= kgf x 2.205 k g f = N ÷

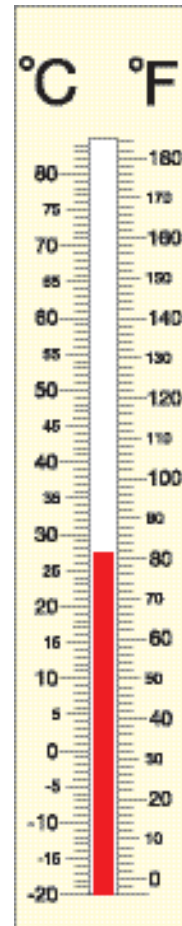
MOMENT

N • m	kgf • cm	lbs • in
1	10.197	8.85
0.0981	1	0.868
0.113	1.152	1

lbs • in = kgf • cm x 0.868 N • m = kgf • cm x 0.0981

kgf • cm = lbs • in ÷ 0.868 kgf • cm = N • m ÷ 0.0981

*All tools and figures are for reference only.



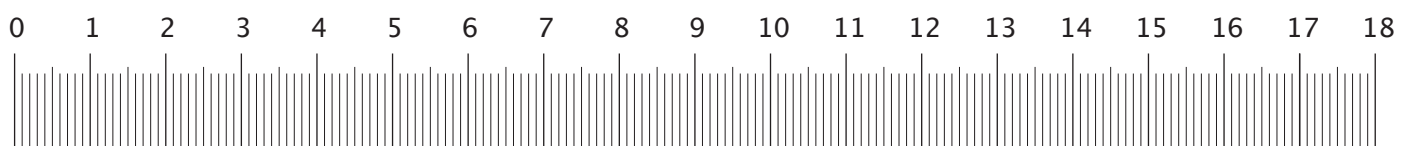
TEMPERATURE

°C	°F
0	32
-17.77	0

°C = (°F - 32) x 5 ÷ 9

°F = °C ÷ 5 x 9 + 32

Centimeters





Distributed by:



Sugatsune America, Inc.

18101 Savarona Way
Carson, CA 90746
Phone: 310-329-6373
Toll Free: 800-562-5267
Fax: 310-329-0819
E-mail: sales@sugatsune.com

Chicago Showroom

121 West Wacker Drive #1007
Chicago, IL 60601
Phone: 312-461-1081
Fax: 312-461-1082

Sugatsune Canada, Inc.

3775 Boulevard du Tricentenaire
Montreal, Quebec
H1B 5W3
Phone: 514-312-5267
E-mail: support@sugatsune.ca

www.sugatsune.com

www.sugatsune.ca (for Canada)