

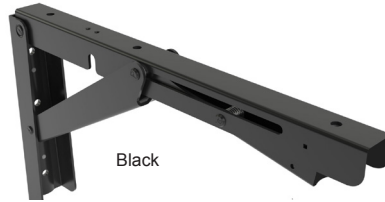
# FOLDING BRACKET



EB

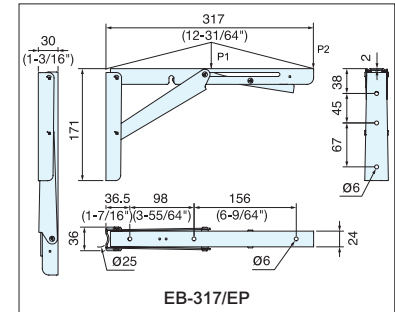
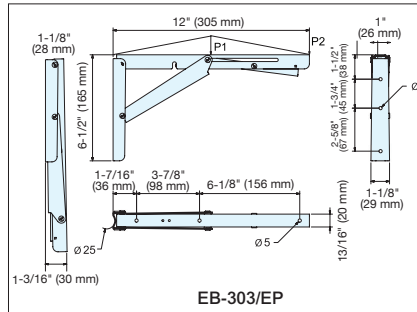
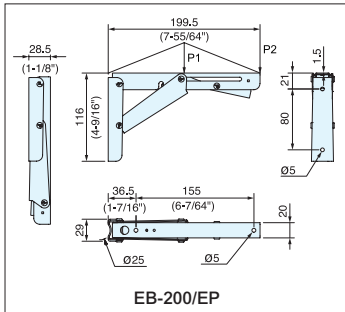
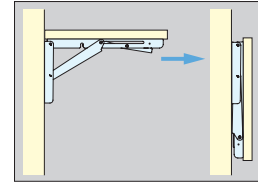
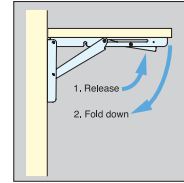


Stainless Steel



Black

- Automatically locks when flap is in opened position.
- Press lever to release the lock.
- Bracket can be used without the need for hinges.
- Available in 3 different sizes.
- Damper unit EBD available for use with all EB series brackets (sold separately).



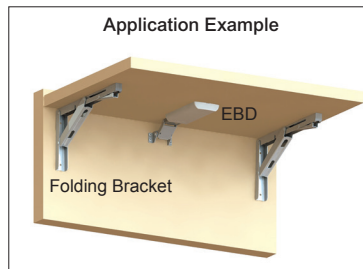
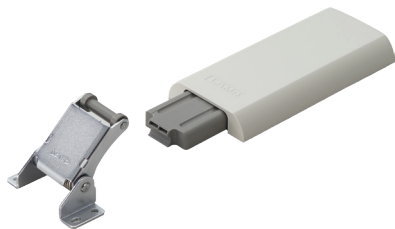
Item No.	Finish	Load Capacity P1 (kg)	Load Capacity P2 (kg)	Weight (g)	Carton (pcs)
EB-200/EP	Stainless	175 (385 lbs)	90 (198 lbs)	330	20
EB-200/EP-BL	Black				
EB-303/EP	Stainless	150 (330 lbs)	75 (165 lbs)	515	20
EB-303/EP-BL	Black				
EB-317/EP	Stainless	200 (440 lbs)	100 (220 lbs)	750	20
EB-317/EP-BL	Black				

Part Name	Material
Main Body	304 Stainless Steel, Black (BL)
Plate Spring	
Rivet	

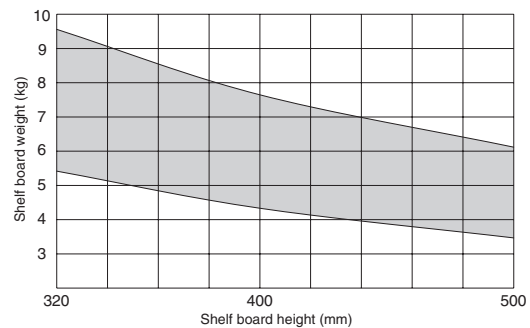
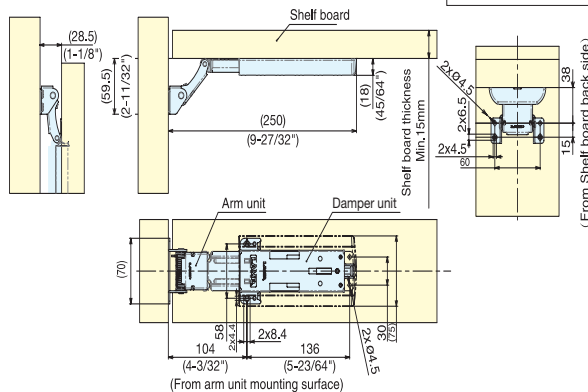
# DAMPER FOR EB FOLDING BRACKET



EBD



- Designed to be used with folding brackets. (EB Series-sold separately)
- Lapcon technology provides soft-close movement downward.
- Easy surface-mount installation.
- Ideal for counter flaps at bars, restaurants and receptions.



Item No.	Torque (kg·cm)	Thickness (mm) Min. Panel	Weight (g)	Box (pcs)	Carton (pcs)	Material	Finish/Color
EBD	86.7-153.0 (75.3-132.8 lbs·in)	15	400	1	20	ABS/POM/Steel	Gray/Zinc/Chrome